

MOLEX IRELAND PRODUCTION ONLY
(OPTION)

RECOMMENDED PCB HOLE LAYOUT

NOTES:

1. PIN PUSHOUT FORCE (.9072KG)/2LBS MIN.
2. PIN SOLDERABILITY PER MOLEX SPEC. ES-152.
3. PRODUCT SPEC: PS-70246 APPLIES.
4. WAFER TO BE FLAT WITHIN .003 MM/MM.
5. DIMENSIONS FOR PLATING LOCATION:
 - △5A MEASURE POINT FOR THICKNESS
 - △5B MINIMUM COVERAGE
6. GOLD END OF PIN UNLESS OVERALL PLATED.

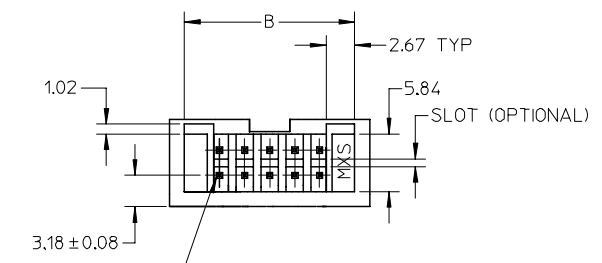
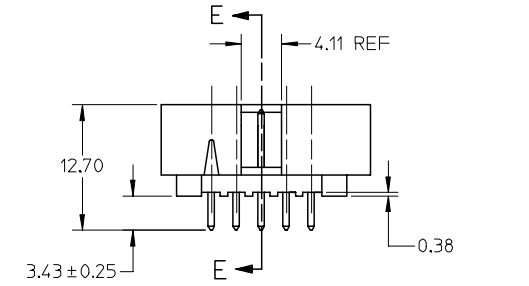
- 573 : 20 MICRO INCHES MIN GOLD PLATE ON CONTACT AND 100 MICRO INCHES MIN TIN PLATE ON SOLDER TAIL BOTH OVER 50 MICRO INCHES MIN NICKEL OVERALL.

△8. DIM AT THE CENTRE OF THE SHROUDED WALL SHALL BE 5.91MM MIN. THIS SPEC IS VALID FOR ALL CKT SIZE.

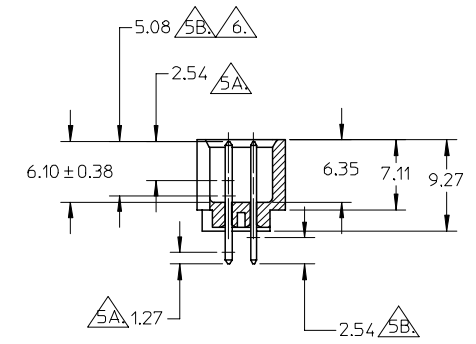
9. MATERIAL:
HSG: GLASS FILLED PBT, UL94V-0, COLOUR BLACK
PIN: 0.64MM SQ. PIN PHOSPHOR BRONZE.

7. FINISH:

- 571 : 15 MICRO INCHES MIN GOLD PLATE ON CONTACT AND 75 MICRO INCHES MIN TIN PLATE ON SOLDER TAIL BOTH OVER 50 MICRO INCHES MIN NICKEL OVERALL.
- 574 : 30 MICRO INCHES MIN GOLD PLATE ON CONTACT AND 75 MICRO INCHES MIN TIN PLATE ON SOLDER TAIL BOTH OVER 50 MICRO INCHES MIN NICKEL OVERALL.
- 544 : 5 MICRO INCHES MIN GOLD PLATE ON CONTACT AND 75 MICRO INCHES MIN TIN PLATE ON SOLDER TAIL BOTH OVER 50 MICRO INCHES MIN NICKEL OVERALL.



AT TIPS BOTH ENDS



SECTION E-E

OBS TIN/LEAD P/N EC NO: S2006-0952 DRWN:MLONG 2006/04/17 CHKD:WAGESHKH 2006/04/18 APPR:PTLIM 2006/04/21	QUALITY SYMBOLS	GENERAL TOLERANCES (UNLESS SPECIFIED)	DIMENSION STYLE	SCALE	DESIGN UNITS	THIRD ANGLE PROJECTION
	▽=0 △=0	mm INCH	MM ONLY	NTS	METRIC	

4 PLACES	± ---	± ---
3 PLACES	± ---	± ---
2 PLACES	± 0.20	± ---
1 PLACE	± ---	± ---
ANGULAR ± 3 °		
DRAFT WHERE APPLICABLE MUST REMAIN WITHIN DIMENSIONS		

DRAWN BY	DATE	TITLE
JENNIFER	1987/09/18	C-GRID, SHROUDED HEADER (SLOTTED W/O STANDOFFS)
CHECKED BY	DATE	
RWONG	1987/09/18	
APPROVED BY	DATE	
ALANB	1987/09/18	
MATERIAL NO.	DOCUMENT NO.	SHEET NO.
SEE TABLE	SDA-70246-**20-25,39-41	1 OF 2

MOLEX INCORPORATED	
THIS DRAWING CONTAINS INFORMATION THAT IS PROPRIETARY TO MOLEX INCORPORATED AND SHOULD NOT BE USED WITHOUT WRITTEN PERMISSION	

	10	9	8	7	6	5	4	3	2	1	
	PART NUMBER	CKT SIZE	VOID CKT	DIM A	DIM B	DIM C	DIM D				
F	70246-08**	08	-	7.62	14.73	17.78	15.24				
	70246-10**	10	-	10.16	17.27	20.32	17.78				
	70246-12**	12	-	12.70	19.81	22.86	20.32				
	70246-14**	14	-	15.24	22.35	25.40	22.86				
	70246-16**	16	-	17.78	24.89	27.94	25.40				
	70246-20**	20	-	22.86	29.97	33.02	30.48				
	70246-24**	24	-	27.94	35.05	38.10	35.56				
	70246-26**	26	-	30.48	37.59	40.64	38.10				
E	70246-30**	30	-	35.56	42.67	45.72	43.18				
	70246-34**	34	-	40.64	47.75	50.80	48.26				
	70246-40**	40	-	48.26	55.37	58.42	55.88				
	70246-44**	44	-	53.34	60.45	63.50	60.96				
	70246-50**	50	-	60.96	68.07	71.12	68.58				
	70246-56**	56	-	68.58	75.69	78.74	76.20				
	70246-60**	60	-	73.66	80.77	83.82	81.28				
	70246-64**	64	-	78.74	85.85	88.90	86.36				
D	70246-72**	72	-	88.90	96.01	99.06	96.52				
	70246-25**	26	26	30.48	37.59	40.64	38.10				

LEGEND:
A-70246 - * * * * *
CKT SIZE ————
PLATING OPT. ————
SEE TABLE FOR DETAIL

△ PART NUMBER	PLATING OPTION
70246-**01	571
70246-**02	574
70246-**04	544
70246-**12	573



OBS TIN/LEAD P/N EC NO: S2006-0952 DRWN:MLONG CHKD:WAGESHKN APPR:PTLIM	2006/04/17 2006/04/18 2006/04/21	DESCRIPTION REV	QUALITY SYMBOLS	GENERAL TOLERANCES (UNLESS SPECIFIED)	DIMENSION STYLE		SCALE	DESIGN UNITS	THIRD ANGLE PROJECTION	
			▽=0 ∇=0		MM ONLY		NTS	METRIC		
					mm	INCH	DRAWN BY	DATE	TITLE	
					4 PLACES ± ---	± ---	JENNIFER	1987/09/18	C-GRID, SHROUDED HEADER (SLOTTED W/O STANDOFFS)	
	3 PLACES ± ---	± ---	CHECKED BY	DATE						
	2 PLACES ± 0.20	± ---	RWONG	1987/09/18						
	1 PLACE ± ---	± ---	APPROVED BY	DATE						
		ANGULAR ± 3 °	ALANB	1987/09/18	MOLEX INCORPORATED					
		DRAFT WHERE APPLICABLE MUST REMAIN WITHIN DIMENSIONS	MATERIAL NO.	DOCUMENT NO.	SHEET NO.					
			SEE TABLE	SDA-70246-**20-25,39-41	2 OF 2					
			SIZE A3	THIS DRAWING CONTAINS INFORMATION THAT IS PROPRIETARY TO MOLEX INCORPORATED AND SHOULD NOT BE USED WITHOUT WRITTEN PERMISSION						